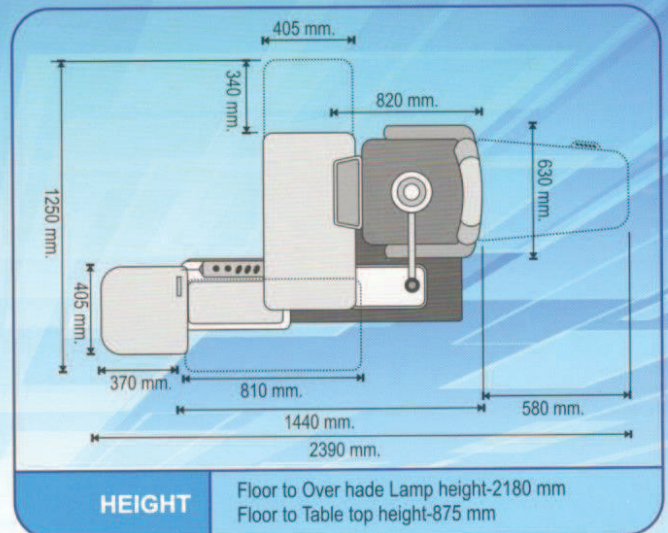


OU-2001

REFRACTION UNIT

MAXIMUM FUNCTIONALITY; MINIMUM FLOORSPACE

- Need-based, highly economical combination unit.
- Maximum operative functionality; minimum space consumption.
- Comprehensive, easy-to-use console panel control with memo key.
- 165-degree reclining, gas spring-driven chair.
- Smooth, **CE-marked German DC motor-driven** elevation.
- Sliding table with space for two instruments.
- Holder for hand instruments.
- Dust-free, enclosed Trial Lens Rack with straight, unobtrusive, in & out sliding movement.
- Sturdy Lamp Pole to support multi-instrument mounting.
- Cross-integrated Chair Raising System & Sliding table Top.
- Comfortable Polyurethane seat.
- Moulded plastic-covered base area.
- Broad, square format platform for stable mounting & jerk-free performance.



*Great Consulting Comfort;
Greater Value for Money.*

*Now, available in colour-coordinated
chair & unit combinations!!*

*[Available in Right-handed (Standard)
& Left-handed Models]*